
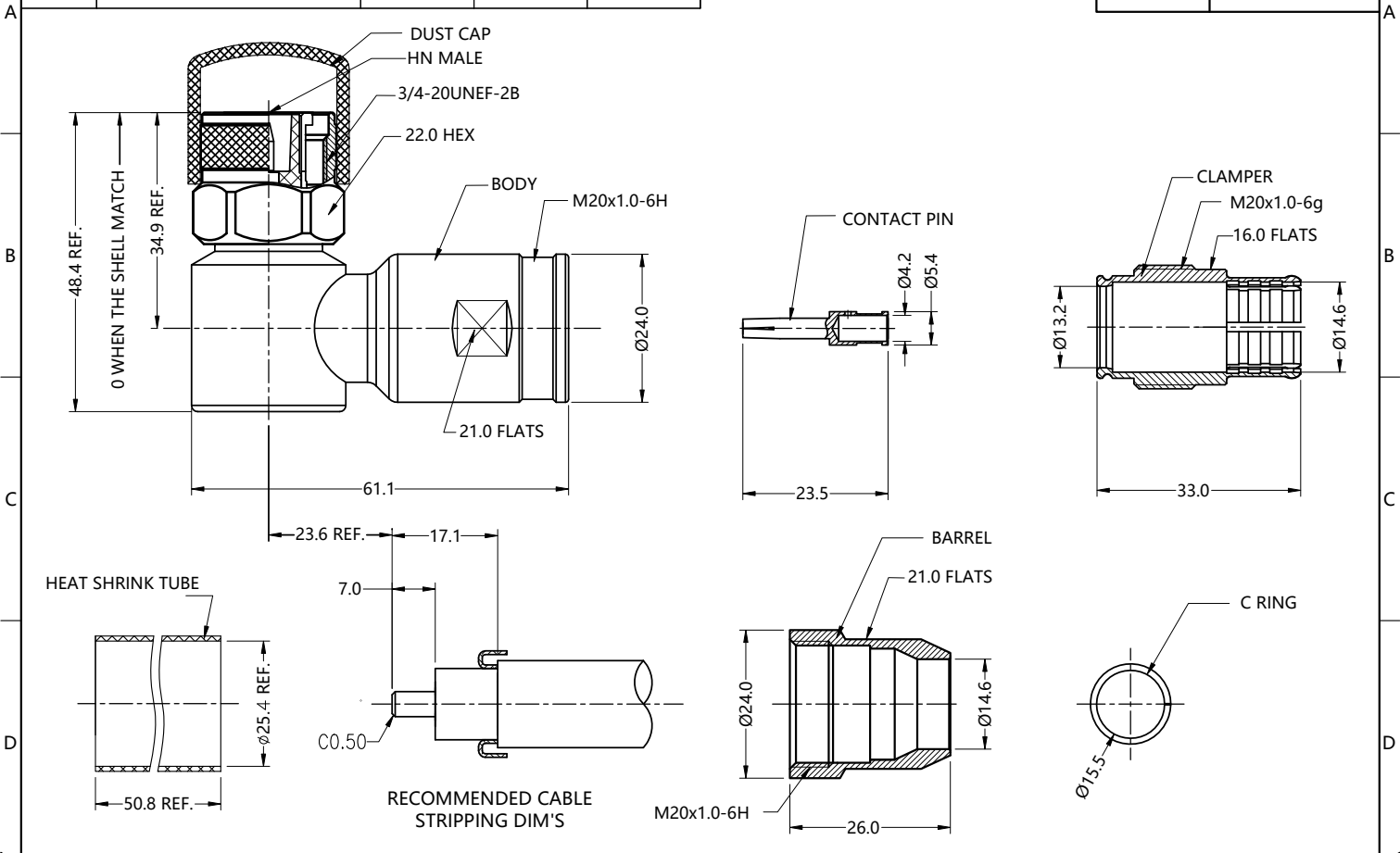
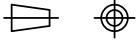



REV.	DESCRIPTION	ECN NO.	NAME	DATE	REMARKS:	 ALL PARTS MUST MEET TO RoHS REQUIREMENTS
0	FIRST EDITION	N/A	Liu	2021-03-18	1.CONTACT PIN TO SOLDER	



MATERIALS AND PLATING			ELECTRICAL CHARACTERISTICS	
UNIT: MICRO-INCHES				
PART NAME	MATERIALS	PLATING		
BODY/SHELL	BRASS C3604	ALBALOY 100 u"/COPPER	IMPEDANCE	50 Ω
CONTACT PIN	BRASS	SILVER 200 u"/COPPER	VOLTAGE RATING	N/A
INSULATOR	PTFE ASTM-D-1710	N/A	FREQUENCY RANGE	0~1 GHz
GASKET	SILICONE	RED	DIELECTRIC WITHSTANDING VOLTAGE	>5000 V
BARREL	BRASS C3604	ALBALOY 100 u"/COPPER	CONTACT RESISTANCE	CENTER CONTACT <1.0 mΩ
CLAMPER	Sn-P bronze QSn4-3	ALBALOY 100 u"/COPPER		OUTER CONTACT <0.2 mΩ
MECHANICAL CHARACTERISTICS CABLE-CONNECTOR ANTI-TORQUE >30 in.lbs (With heat shrink tubing) CABLE RETENTION FORCE >200 lbs RECOMMENDED COUPLING TORQUE 9~14 in.lbs COUPLING NUT RETENTION FORCE >100 lbs DURABILITY >500 cycles			INSULATION RESISTANCE	>10000 MΩ
			INSERTION LOSS	<0.1x√F(GHz) dB
			VSWR	<1.20
			3RD INTERMODULATION	N/A
			ENVIRONMENTAL PARAMETER TEMPERATURE RANGE -40 °C~+125 °C VIBRATION US MIL - STD 202, Meth. 204, Cond. B SHOCK US MIL - STD 202, Meth. 213, Cond. I THERMAL SHOCK US MIL - STD 202, Meth. 107, Cond. B	

* CUSTOMER OUTLINE DRAWING			THIRD ANGLE PROJECTION 		 TITLE: HN MALE R/A CLAMP FOR SFT-600(056") CABLE,50Ω DRAWING NO.: 5HNM14R-A270-001 COMPANY WEBSITE: www.slkcorp.com
UNLESS OTHERWISE SPECIFIED:		APPROVED :	CUSTOMER P/N :		
1) EDGES : C0.15 MAX ;		CHECKED :	SCALE : 1 : 1		
2) REMOVE ALL BURRS ;		DRAWING :	DATE : 2021-03-18		
3) SURFACE ROUGHNESS : Ra1.6 ;		PAGE : 1/1			
4) UNITS : mm ;					
5) DIMENSIONS TOLERANCES					
DECIMALS : .x ±0.3 .xx ±0.2 .xxx±0.1;					
ANGLES : ± 5°.					

CUSTOMER OUTLINE DRAWING