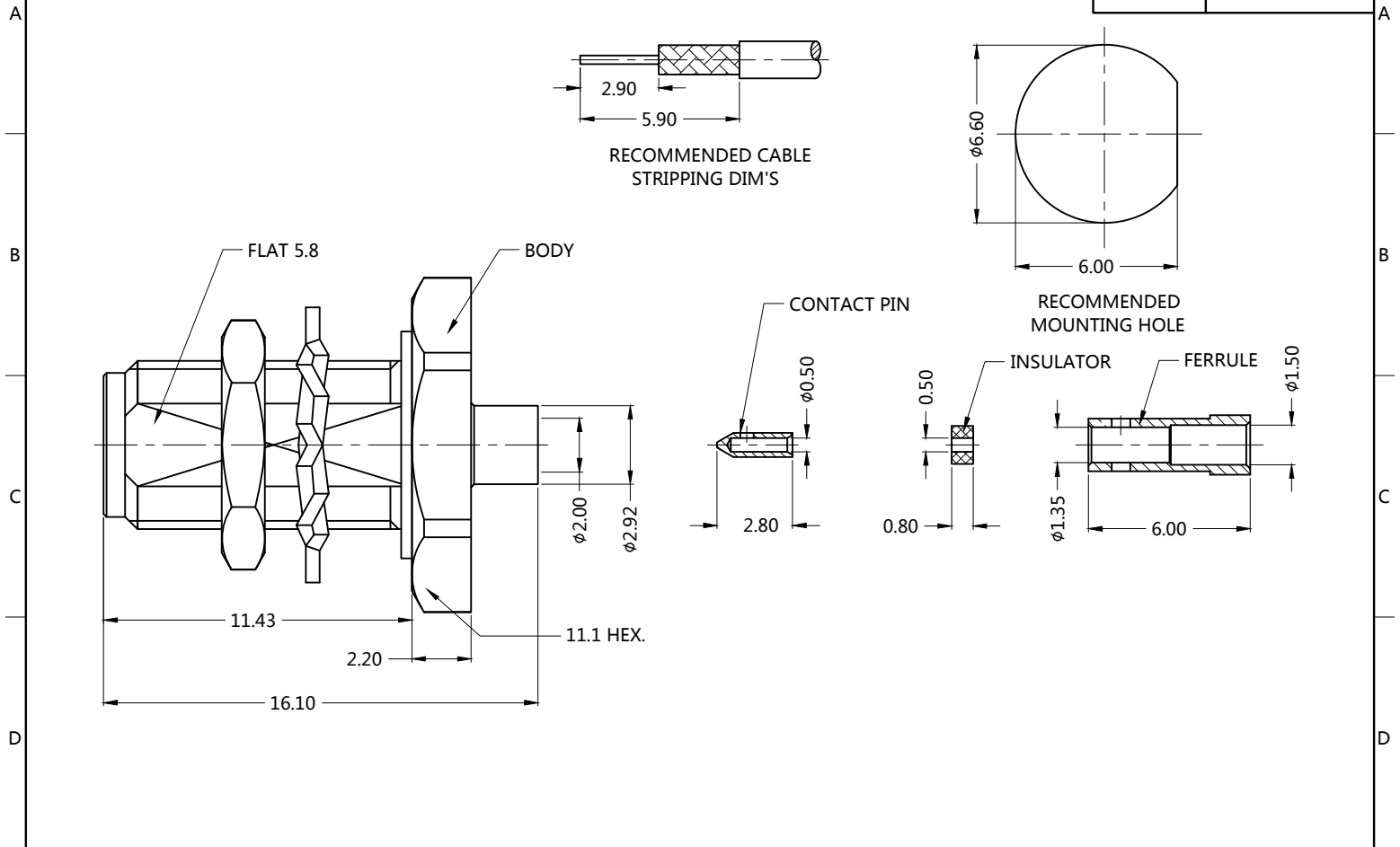


|      |               |         |          |            |
|------|---------------|---------|----------|------------|
| REV. | DESCRIPTION   | ECN NO. | NAME     | DATE       |
| 0    | FIRST EDITION | N/A     | LEI CHAO | 2020-08-12 |



ALL PARTS MUST MEET TO RoHS REQUIREMENTS



| MATERIALS AND PLATING |                    | UNIT: MICRO-INCHES      |
|-----------------------|--------------------|-------------------------|
| PART NAME             | MATERIALS          | PLATING                 |
| BODY/SHELL            | BRASS C3604        | GOLD 3 u"/NICKEL/COPPER |
| INSULATOR             | TEFLON MIL-P-19468 | N/A                     |
| CONTACT PIN           | Be-Cu C17300       | GOLD 5 u"/NICKEL/COPPER |
| FERRULE               | BRASS C3604        | GOLD 3 u"/NICKEL/COPPER |

| ELECTRICAL CHARACTERISTICS      |                      |         |
|---------------------------------|----------------------|---------|
| IMPEDANCE                       | 50 Ω                 |         |
| VOLTAGE RATING                  | 170 V(rms)           |         |
| FREQUENCY RANGE                 | DC ~ 3 GHz           |         |
| DIELECTRIC WITHSTANDING VOLTAGE | >500 V               |         |
| CONTACT RESISTANCE              | CENTER CONTACT       | <3.0 mΩ |
|                                 | OUTER CONTACT        | <2.0 mΩ |
| INSULATION RESISTANCE           | >5000 MΩ             |         |
| INSERTION LOSS                  | 0.06√F (GHz) dB max. |         |
| RF-LEAKAGE                      | > -60 dB             |         |
| VSWR                            | <1.3                 |         |

| MECHANICAL CHARACTERISTICS     |             |
|--------------------------------|-------------|
| CABLE RETENTION FORCE          | N/A         |
| CENTER CONTACT RETENTION FORCE | >6 lbs      |
| RECOMMENDED COUPLING TORQUE    | N/A         |
| COUPLING NUT RETENTION FORCE   | N/A         |
| DURABILITY                     | >500 cycles |

| ENVIRONMENTAL PARAMETER |                                     |
|-------------------------|-------------------------------------|
| TEMPERATURE RANGE       | -65 °C ~ +165 °C                    |
| THERMAL SHOCK           | US MIL- STD 202, Meth. 107, Cond. B |
| VIBRATION               | US MIL- STD 202, Meth. 204, Cond. B |
| SHOCK                   | US MIL- STD 202, Meth. 213, Cond. I |
| WATERPROOF              | IP67                                |

**\* CUSTOMER OUTLINE DRAWING**

UNLESS OTHERWISE SPECIFIED:  
 1) EDGES : C0.15 MAX ;  
 2) REMOVE ALL BURRS ;  
 3) SURFACE ROUGHNESS : Ra1.6 ;  
 4) UNITS : mm ;  
 5) DIMENSIONS TOLERANCES  
 DECIMALS : .x ±0.3 .xx ±0.2 .xxx±0.1;  
 ANGLES : ± 5°.

|                        |                |            |
|------------------------|----------------|------------|
| THIRD ANGLE PROJECTION |                |            |
| APPROVED :             | CUSTOMER P/N : | -          |
| CHECKED :              | SCALE :        | -          |
| DRAWING :              | DATE :         | 2020-08-12 |
|                        | PAGE :         | 1/1        |

**SLK**  
 SUPERLINK

TITLE : SMA FEMALE S/T CRIMP FOR  
 Ø1.37 CABLE, 50Ω

DRAWING NO. :  
 5MAF15S-A72-004

COMPANY WEBSITE : www.slkcorp.com