
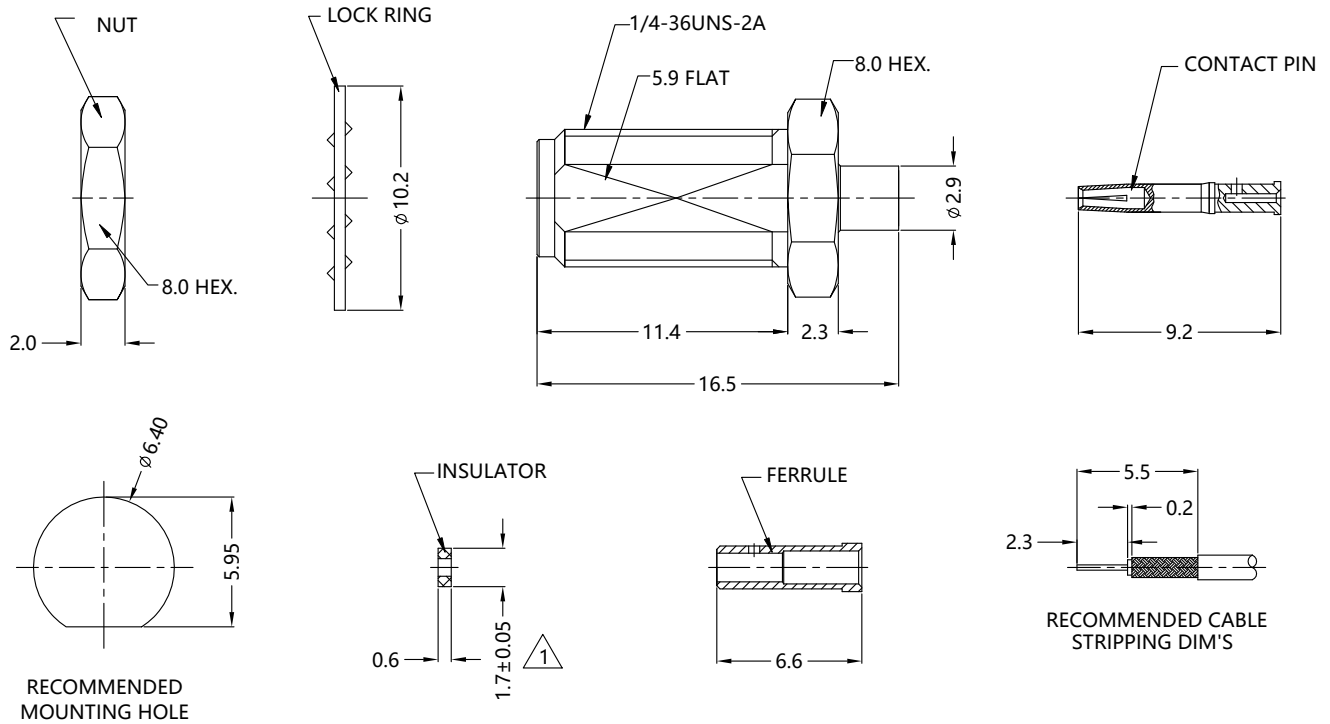


REV.	DESCRIPTION	ECN NO.	NAME	DATE	 ALL PARTS MUST MEET TO RoHS REQUIREMENTS
0	FIRST EDITION	N/A	Kevin.Li	2020-12-29	
1	UPDATE THE DRAWING	N/A	PY	2021-07-19	

- CRIMPED FERRULE HEX.
SMA FEMALE CONNECTOR: CRIMP SIZE .100"
- CONTACT PIN TO SOLDER



MATERIALS AND PLATING		UNIT: MICRO-INCHES
PART NAME	MATERIALS	PLATING
BODY	BRASS	GOLD 50u"/NICKEL 80u"/COPPER
INSULATOR	PTFE	N/A
CONTACT PIN	BERYLLIUM COPPER	GOLD 50u"/NICKEL 80u"/COPPER
NUT/WASHER	BRASS	GOLD 50u"/NICKEL 80u"/COPPER
FERRULE	BRASS	GOLD 20u"/NICKEL 80u"/COPPER

ELECTRICAL CHARACTERISTICS	
IMPEDANCE	50 Ω
VOLTAGE RATING	335 V(rms)
FREQUENCY RANGE	0 ~ 6 GHz
DIELECTRIC WITHSTANDING VOLTAGE	> 500 V
CONTACT RESISTANCE	CENTER CONTACT
	OUTER CONTACT
INSULATION RESISTANCE	> 5000 M Ω
INSERTION LOSS	N/A
VSWR	< 1.5
3RD INTERMODULATION	N/A

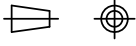
MECHANICAL CHARACTERISTICS	
FORCE TO ENGAGE AND DISENGAGE	N/A
CENTER CONTACT RETENTION FORCE	N/A
RECOMMENDED COUPLING TORQUE	N/A
COUPLING NUT RETENTION FORCE	N/A
DURABILITY	> 500cycles

ENVIRONMENTAL PARAMETER	
TEMPERATURE RANGE	-40 °C~+125 °C
CORROSION	MIL- STD 202, Meth. 101,Cond. B
VIBRATION	MIL- STD 202, Meth. 204,Cond. D
SHOCK	MIL- STD 202, Meth. 213,Cond. I

CUSTOMER OUTLINE DRAWING

CUSTOMER OUTLINE DRAWING

UNLESS OTHERWISE SPECIFIED:
 1) EDGES : C0.15 MAX ;
 2) REMOVE ALL BURRS ;
 3) SURFACE ROUGHNESS : Ra1.6 ;
 4) UNITS : mm ;
 5) DIMENSIONS TOLERANCES
 DECIMALS : .x ±0.3 .xx ±0.2 .xxx±0.1;
 ANGLES : ± 5°.

THIRD ANGLE PROJECTION		
APPROVED :	CUSTOMER P/N :	
CHECKED :	SCALE :	
DRAWING :	DATE : 2021-07-19	
PAGE : 1/1		



TITLE : SMA FEMALE S/T
SOLDER FOR $\phi 1.37$ CABLE ,50 Ω

DRAWING NO. : 5MAF15S-A72-011

COMPANY WEBSITE : www.slkcorp.com