
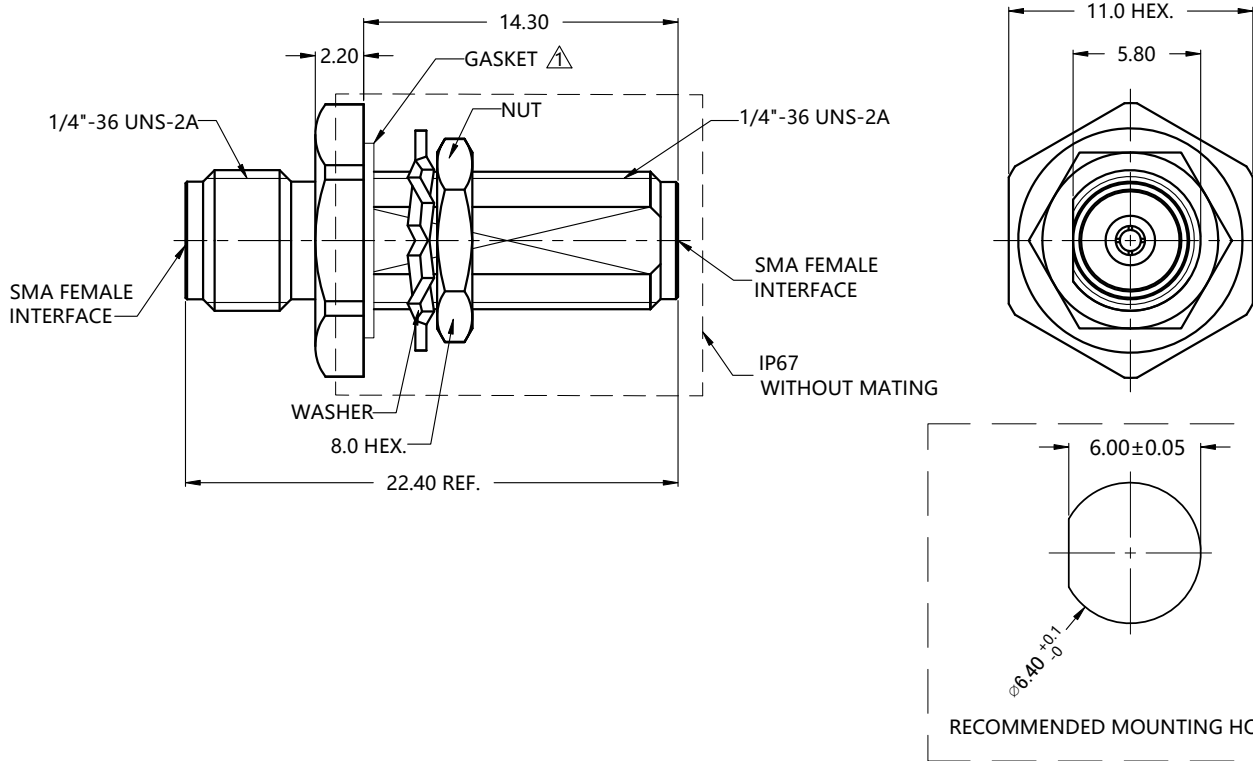


REV.	DESCRIPTION	ECN NO.	NAME	DATE	 ALL PARTS MUST MEET TO RoHS REQUIREMENTS
0	FIRST EDITION	N/A	LEI CHAO	2021-04-16	
1	UPDATE GASKET DRAWING	N/A	JASON	2021-07-20	



MATERIALS AND PLATING		UNIT: MICRO-INCHES
PART NAME	MATERIALS	PLATING
BODY	STAINLESS STEEL 303	PASSIVATION
CONTACT PIN	Be-Cu C17300	GOLD 30 u\"/>

ELECTRICAL CHARACTERISTICS	
IMPEDANCE	50 Ω
VOLTAGE RATING	235 V(rms)
FREQUENCY RANGE	DC ~ 26.5 GHz
DIELECTRIC WITHSTANDING VOLTAGE	> 750 V
CONTACT RESISTANCE	CENTER CONTACT
	OUTER CONTACT
INSULATION RESISTANCE	> 5000 MΩ
INSERTION LOSS	< 0.06x√F(GHz) dB
VSWR	< 1.30 @DC ~ 18GHz

MECHANICAL CHARACTERISTICS	
FORCE TO ENGAGE AND DISENGAGE	N/A
CENTER CONTACT RETENTION FORCE	> 6 lbs
RECOMMENDED COUPLING TORQUE	7-10 in.lbs
COUPLING NUT RETENTION FORCE	N/A
DURABILITY	> 500 cycles

ENVIRONMENTAL PARAMETER	
TEMPERATURE RANGE	-40 °C ~ +125 °C

*** CUSTOMER OUTLINE DRAWING**

UNLESS OTHERWISE SPECIFIED:
 1) EDGES : C0.15 MAX ;
 2) REMOVE ALL BURRS ;
 3) SURFACE ROUGHNESS : Ra1.6 ;
 4) UNITS : mm ;
 5) DIMENSIONS TOLERANCES
 DECIMALS : .x ±0.3 .xx ±0.2 .xxx±0.1 ;
 ANGLES : ± 5°.

THIRD ANGLE PROJECTION	
APPROVED :	CUSTOMER P/N :
CHECKED :	SCALE :
DRAWING :	DATE :
JASON	2021-07-20
PAGE : 1/1	



TITLE : SMA FEMALE S/T TO SMA FEMALE S/T ADAPTOR, 50Ω
 DRAWING NO. : 5MAF36S-MAF-002
 COMPANY WEBSITE : www.slkcorp.com

CUSTOMER OUTLINE DRAWING