
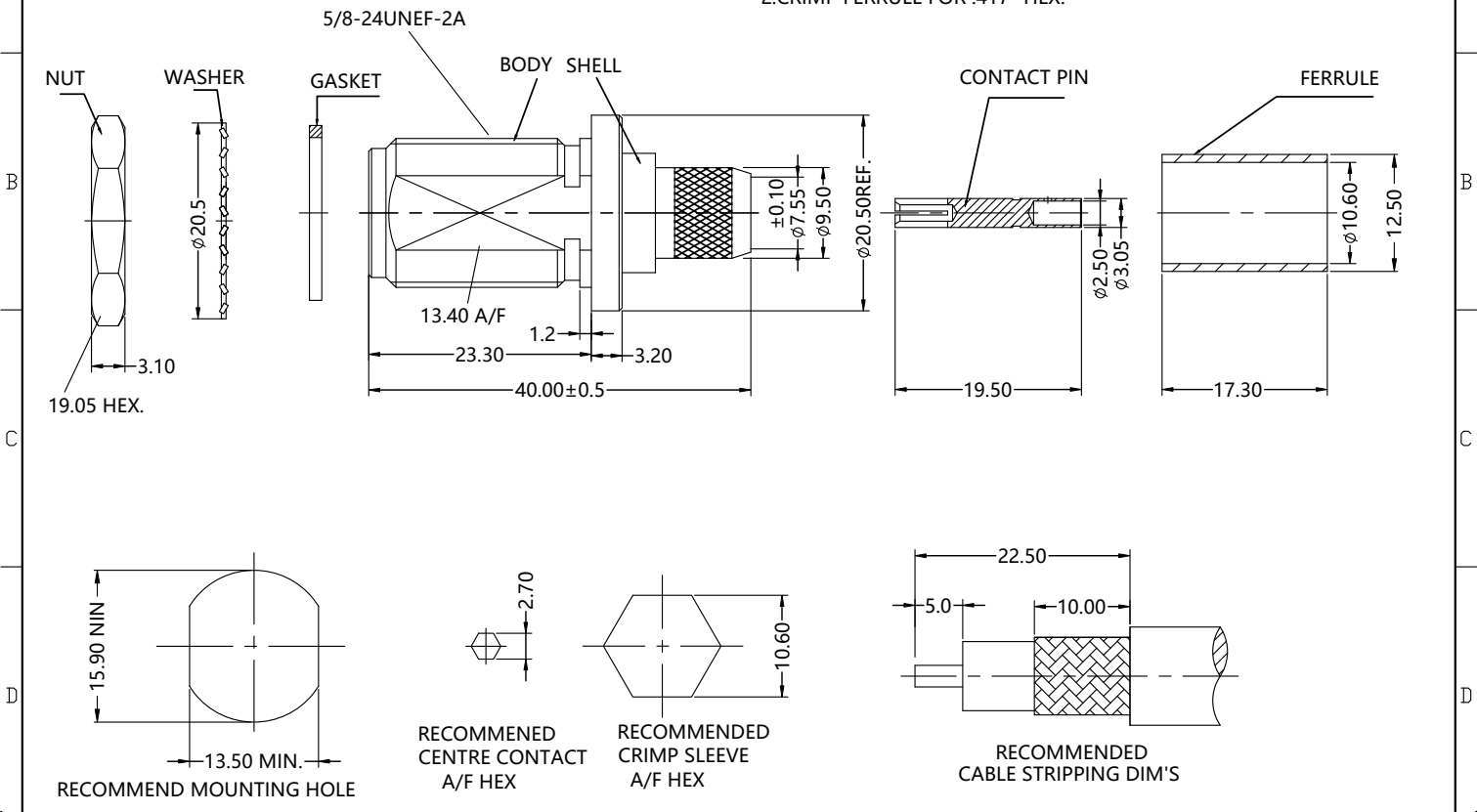


REV.	DESCRIPTION	ECN NO.	NAME	DATE	 ALL PARTS MUST MEET TO RoHS REQUIREMENTS
A0	FIRST EDITION	N/A	lihemin	2017-05-22	
A1	NEW FRAME	N/A	LDH	2020-6-17	
A2	UPDATE DRAWING	N/A	HYH	2021-07-01	

REMARKS:
 1.CONTACT PIN TO SOLDER
 2.CRIMP FERRULE FOR .417" HEX.



MATERIALS AND PLATING		UNIT: MICRO-INCHES
PART NAME	MATERIALS	PLATING
BODY/SHELL	BRASS	SILVER 40u"/COPPER
INSULATOR	PTFE ASTM-D-1710	NATURAL
CONTACT PIN	PHOSPHOR BRONZE	SILVER 40u"/COPPER
GASKET	SILICONE	WHITE
NUT/WASHER	BRASS	SILVER 40u"/COPPER
FERRULE	BRASS	SILVER 40u"/COPPER

ELECTRICAL CHARACTERISTICS	
IMPEDANCE	50 Ω
VOLTAGE RATING	1000V(rms)
FREQUENCY RANGE	0 ~ 11 GHz
DIELECTRIC WITHSTANDING VOLTAGE	>2500 V
CONTACT RESISTANCE	CENTER CONTACT <1.0 mΩ
	OUTER CONTACT <1.0 mΩ
INSULATION RESISTANCE	>5000 MΩ
INSERTION LOSS	<0.3 dB MAX(0-10GHZ)
RF-LEAKAGE	N/A
VSWR	<1.30(Single)
3RD INTERMODULATION	N/A

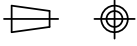
MECHANICAL CHARACTERISTICS	
FORCE TO ENGAGE AND DISENGAGE	N/A
CENTER CONTACT RETENTION FORCE	N/A
RECOMMENDED COUPLING TORQUE	>6N
COUPLING NUT RETENTION FORCE	N/A
DURABILITY	>500cycles

ENVIRONMENTAL PARAMETER	
TEMPERATURE RANGE	-65 °C ~ +165 °C

CUSTOMER OUTLINE DRAWING

*** CUSTOMER OUTLINE DRAWING**

UNLESS OTHERWISE SPECIFIED:
 1) EDGES : C0.15 MAX ;
 2) REMOVE ALL BURRS ;
 3) SURFACE ROUGHNESS : Ra1.6 ;
 4) UNITS : mm ;
 5) DIMENSIONS TOLERANCES
 DECIMALS : .x ±0.3 .xx ±0.2 .xxx±0.1;
 ANGLES : ± 5°.

THIRD ANGLE PROJECTION		
APPROVED :	CUSTOMER P/N :	-
CHECKED :	SCALE :	4 : 3
DRAWING :	DATE :	2021-07-01
HYH	PAGE :	1/1

SLK
 SUPERLINK

TITLE : N FEMALE S/T CRIMP FOR RG8A/U 213/U CABLE
 DRAWING NO. : 5NCF11S-A05-002
 COMPANY WEBSITE : www.slkcorp.com