

SFC-210

High Performance Microwave Coax Cable

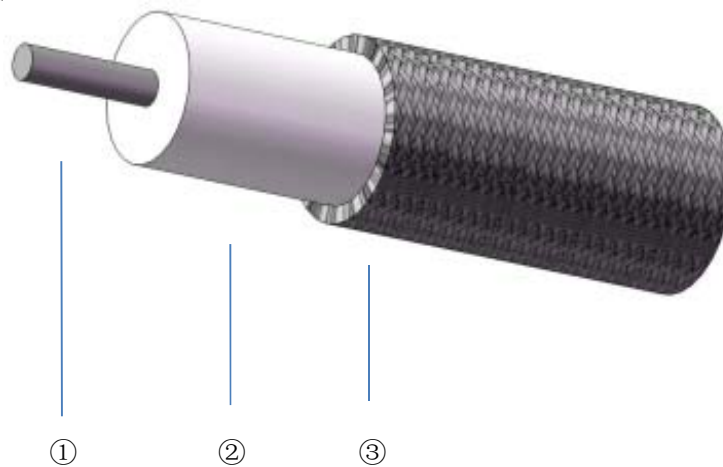
Product Description

Surperlink SFC series coaxial cable is a standard semi flexible cable. It can be able to operate up to 40 GHz. SFC is ideal for microwave applications and has the ability to be stripped and formed into position without the need for any specialist tools. Traditional cut-and-strip machines can be used for the processing of the cable.

Feature & Benefit

- Standard Coaxial Cable
- It can be replaced for Sucoform-86
- Low Loss

Product Structure



	①Center Conductor	②Dielectric	③Outer Conductor
Material	SPC	Solid PTFE	Tin Plated Copper
Size (mm)	0.53±0.03	1.65±0.05	2.10±0.15

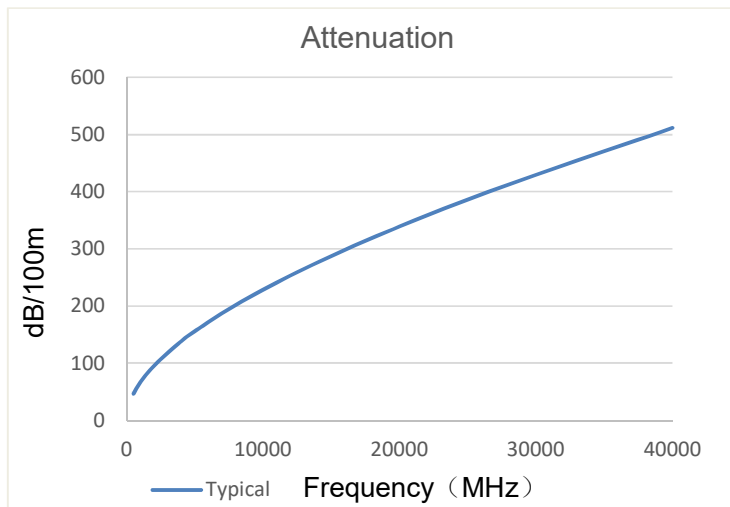
Specifications

Impedance	50Ω
Operation Frequency	40GHz
Velocity of Propagation	70%
Shielding Effectiveness	90dB
Voltage Withstand	3000V,DC
Capactiance	98pF/m
Weight	16g/m
Temp, Operating&Installation	-65~165°C
Temp,Storage	-65~165°C
Bend Radius:installation	6mm
Bend Radius:repeated	20mm

The rights of technical information provided on the sheet belongs to Superlink. Contents cannot be provided to other third-companies without permission.

Shenzhen Superlink Technology Co.,Ltd
 Website: www.slkcorp.com
 Tel: +86 755-89814648

Attenuation (Typical@25°C VSWR=1.0)



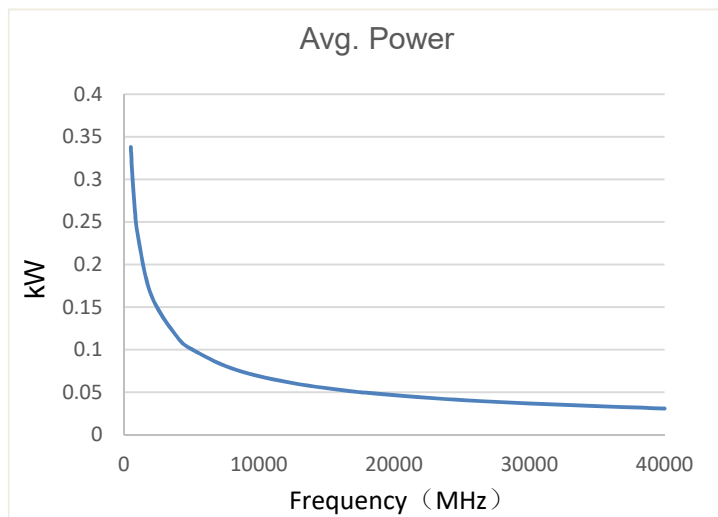
Frequency(MHz)	Attenuation (dB/100m)
500	46.5
600	51.0
800	59.2
1000	66.5
2000	95.6
4000	138.4
5000	156.2
8000	202.0
12000	253.4
16000	298.4
18000	319.2
26500	399.9
40000	511.4

$$K1= 2.017689$$

$$K2= 0.002696$$

$$\text{Attenuation}=K1* \sqrt{F}+K2*F$$

Power (40°C VSWR=1.0 Sea Level)



Frequency(MHz)	Avg.Power (kW)
500	0.338
600	0.308
800	0.265
1000	0.236
2000	0.164
4000	0.113
5000	0.101
8000	0.078
12000	0.062
16000	0.053
18000	0.049
26500	0.039
40000	0.031

Ver A-1