

SPB-520

High Performance Microwave Coax Cable

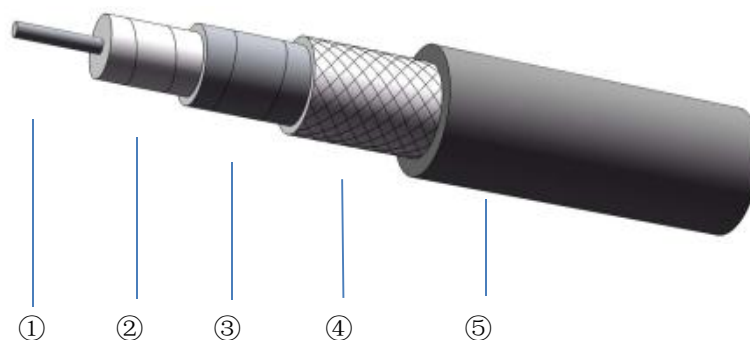
Product Description

Superlink SPB series coaxial cable is constructed with low density PTFE dielectric and silver plated copper foil and has very low loss. It keeps a high phase stability and amplitude stability while bending. Performance hardly vary in broad frequency range. It can be applied to most of harsh conditions which require strict standard like military radar, electronic warfare and airborne equipment.

Feature & Benefit

- 83%Vp PTFE+SPC Foil
- Low Loss
- Equivalent to UFB205A
- Replacce toCNX3449, HF190

Product Structure



	①Center Conductor	②Dielectric	③Outer Conductor	④Outer shield	⑤Jacket
Material	SPC	LD PTFE	SPC	SPC	FEP
Size (mm)	1.45±0.03	4.00±0.05	4.20±0.05	4.75±0.05	5.20±0.15

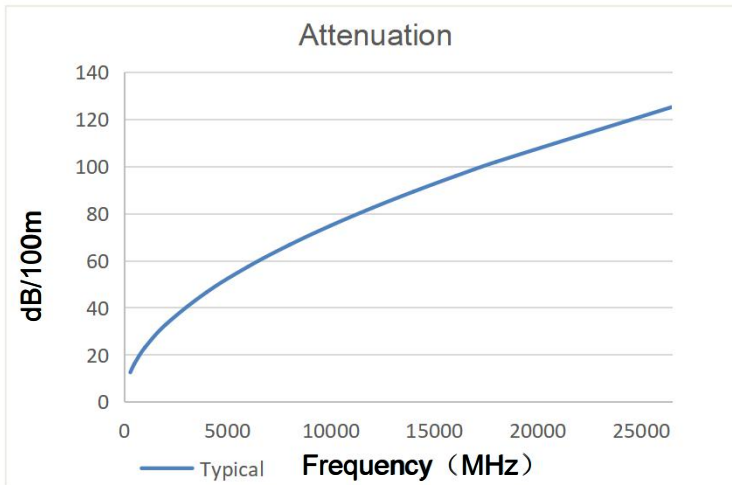
Specifications

Impedance	50Ω
Operation Frequency	26.5GHz
Velocity of Propagation	83%
Shielding Effectiveness	90dB
Voltage Withstand	1500V,DC
Time Delay	4.02ns/m
Phase Stability(Bending)	±5° 26.5GHz
Phase Stability(Tem)	600PPM (-55~85℃)
Amplitude Stability	±0.1dB 40GHz
Bend Radius:repeated	50mm
Bend Radius:installation	20mm
Weight	50g/m
Temp, Operating&Installation	-55~165℃
Temp,Storage	-65~165℃

The rights of technical information provided on the sheet belongs to Superlink.Contents cannot be provided to other third-companies without permission.

Shenzhen Superlink Technology Co.,Ltd
 Website: www.slkcorp.com
 Tel: +86 755-89814648

Attenuation (Typical@25°C VSWR=1.0)



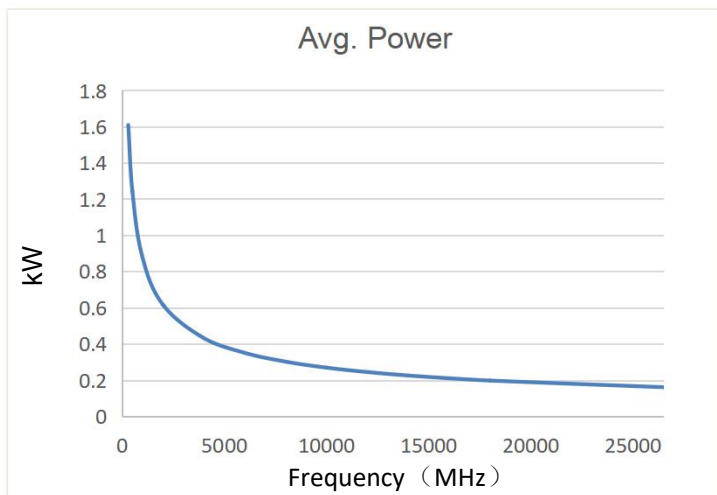
Frequency(MHz)	Attenuation (dB/100m)
300	12.5
500	16.2
1000	23.0
2000	32.7
4000	46.6
6000	57.4
8000	66.6
10000	74.8
12000	82.3
14000	89.3
16000	95.8
18000	101.9
26500	125.2

$$K1= 0.715687$$

$$K2= 0.000328$$

$$\text{Attenuation}=K1* \sqrt{F}+K2*F$$

Power (40°C VSWR=1.0 Sea Level)



Frequency(MHz)	Avg.Power (kW)
300	1.608
500	1.243
1000	0.875
2000	0.615
4000	0.431
6000	0.350
8000	0.302
10000	0.268
12000	0.244
14000	0.225
16000	0.210
18000	0.197
26500	0.160

Ver A-1