

SPO-305

High Performance Microwave Coax Cable

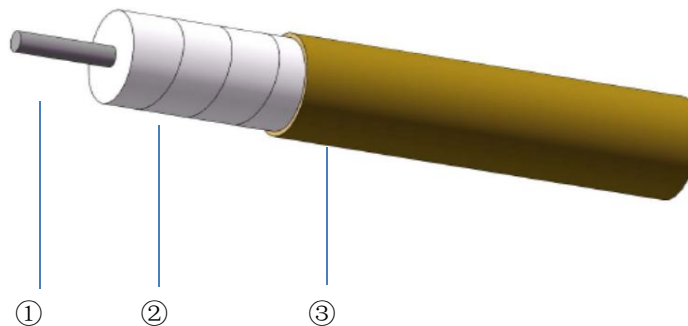
Product Description

Superlink SPO series is an optimized version of traditional semi-rigid cable. It offers a lower loss, less weight and wider temperature range due to it adopts advanced PTFE wrapped dielectric to replace the solid PTFE dielectric. Meanwhile it has superior shielding effectiveness and corrosion resistance. It is applied to interconnection between cards, satellite communication, feed network, etc.

Feature & Benefit

- LD PTFE Tape
- Ultra low loss,excellent size stable vs.temp

Product Structure

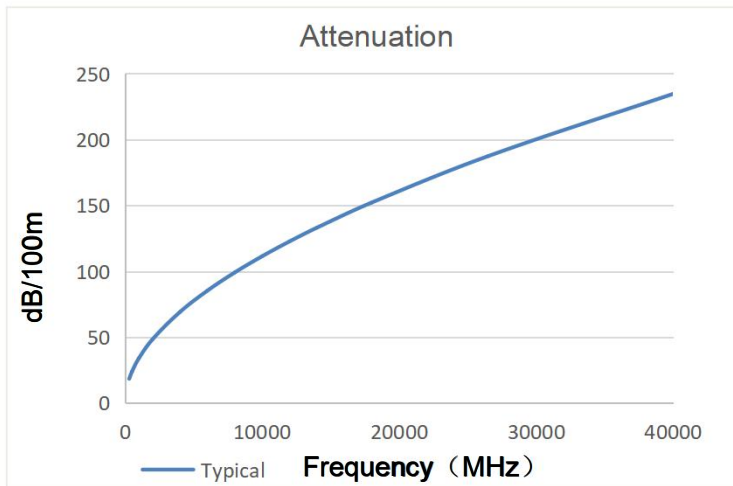


	①Center Conductor	②Dielectric	③Outer Conductor
Material	SPC	LD PTFE	Seamless Copper Tube
Size (mm)	0.91±0.02	2.70±0.05	3.05±0.06

Specifications

Impedance	50Ω
Operation Frequency	40GHz
Velocity of Propagation	76%
Shielding Effectiveness	165dB
Voltage Withstand	1000V,DC
Bend Radius:installation	10.5mm
Weight	35g/m
Temp, Operating&Installation	-55~250℃
Temp,Storage	-65~250℃

Attenuation (Typical@25°C VSWR=1.0)



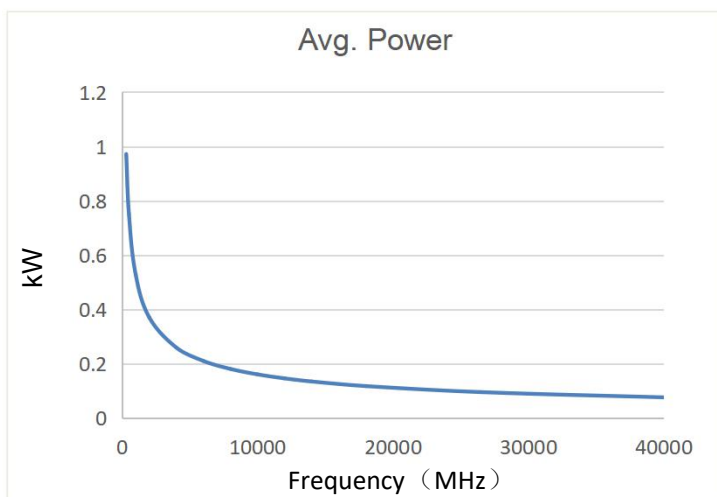
Frequency(MHz)	Attenuation (dB/100m)
300	18.5
500	23.9
1000	34.0
2000	48.4
4000	69.1
6000	85.3
8000	99.1
10000	111.4
12000	122.7
14000	133.1
18000	152.2
26500	187.4
40000	234.6

$$K1= 1.055000$$

$$K2= 0.000590$$

$$\text{Attenuation}=K1* \sqrt{F}+K2*F$$

Power (40°C VSWR=1.0 Sea Level)



Frequency(MHz)	Avg.Power (kW)
300	0.972
500	0.751
1000	0.528
2000	0.371
4000	0.260
6000	0.210
8000	0.181
10000	0.161
12000	0.146
14000	0.135
18000	0.118
26500	0.096
40000	0.076

Ver A-1