

# SPO-360-3K

High Performance Microwave Coax Cable

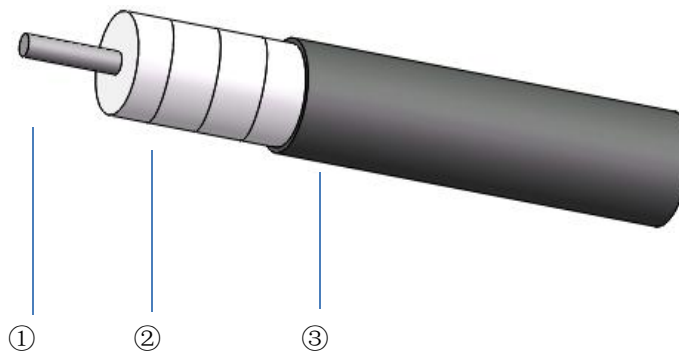
## Product Description

Superlink SPO series is an optimized version of traditional semi-rigid cable. It offers a lower loss, less weight and wider temperature range due to it adopts advanced PTFE wrapped dielectric to replace the solid PTFE dielectric. Meanwhile it has superior shielding effectiveness and corrosion resistance. It is applied to interconnection between cards, satellite communication, feed network, etc.

## Feature & Benefit

- LD PTFE Tape
- Ultra low loss,excellent size stable vs.temp

## Product Structure

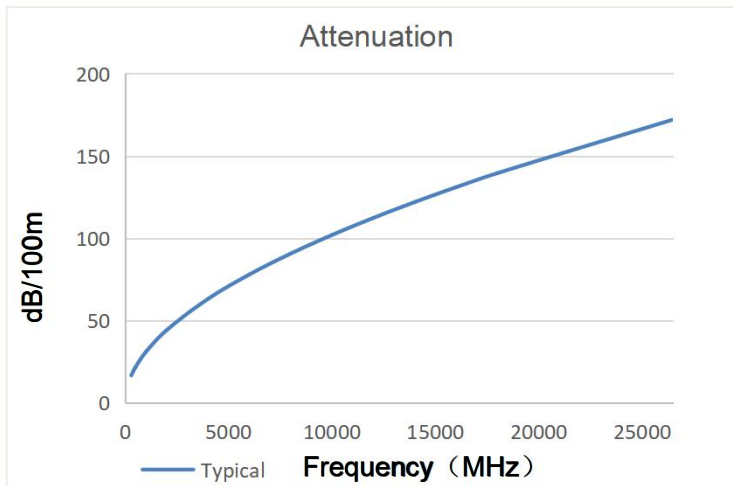


	①Center Conductor	②Dielectric	③Outer Conductor
Material	SPC	LD PTFE	Seamless Copper Tube Tri-Metal Plating
Size (mm)	0.99±0.02	3.00±0.05	3.60±0.06

## Specifications

Impedance	50Ω
Operation Frequency	26.5GHz
Velocity of Propagation	76%
Shielding Effectiveness	165dB
Voltage Withstand	1300V,DC
Bend Radius:installation	12.5mm
Weight	43g/m
Temp, Operating&Installation	-55~250℃
Temp,Storage	-65~250℃

## Attenuation (Typical@25°C VSWR=1.0)



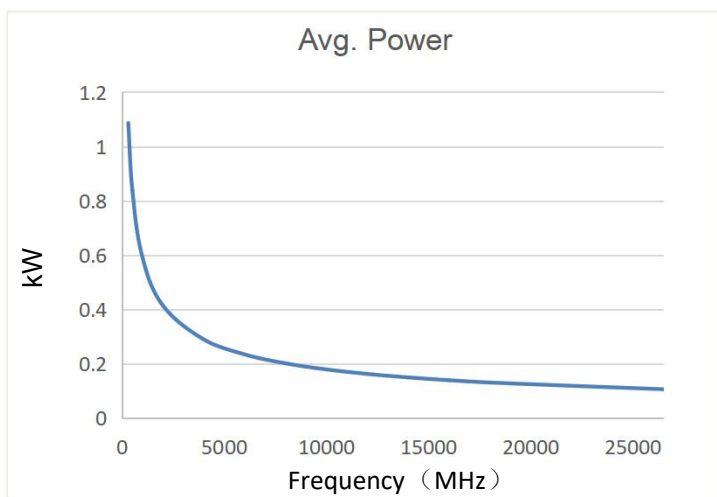
Frequency(MHz)	Attenuation (dB/100m)
300	16.8
500	21.8
1000	31.0
2000	44.2
4000	63.1
6000	78.0
8000	90.7
10000	102.0
12000	112.4
14000	122.0
16000	131.0
18000	139.6
26500	172.1

$$K1= 0.961040$$

$$K2= 0.000590$$

$$\text{Attenuation}=K1* \sqrt{F}+K2*F$$

## Power (40°C VSWR=1.0 Sea Level)



Frequency(MHz)	Avg.Power (kW)
300	1.086
500	0.839
1000	0.590
2000	0.414
4000	0.289
6000	0.234
8000	0.201
10000	0.179
12000	0.163
14000	0.150
16000	0.139
18000	0.131
26500	0.106

Ver A-1